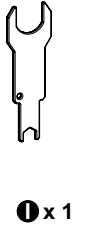
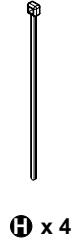
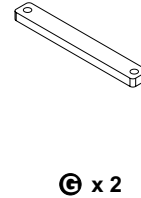
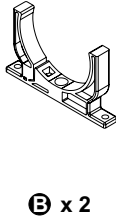
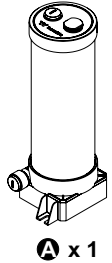


This product is intended for installation only by expert users. Please consult with a qualified technician for installation.

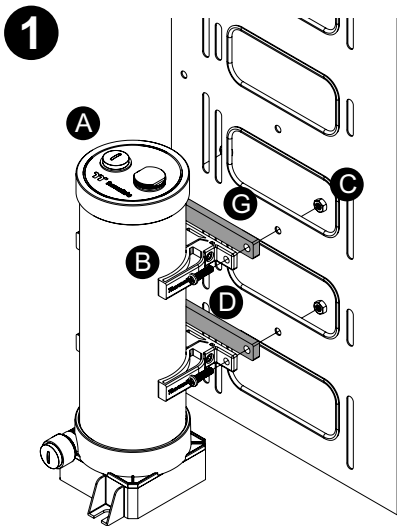
Improper installation may result in damage to your equipment. Before you start using this product please follow these basic guidelines:

1. Please carefully read the manual before beginning the installation process!
2. It is strongly recommended to use market proven pre-mix coolant, such as Thermaltake Coolant.
3. Please remove your graphics card from your motherboard to ensure the safest process and in order to prevent any possible damages to your CPU and motherboard.
4. DO NOT USE any kind of alcohol or alcohol derivatives with this reservoir or the acrylic tube may crack and fail! Do not clean it using alcohol either!

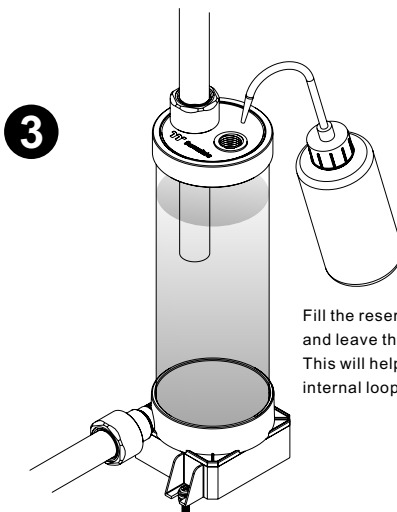
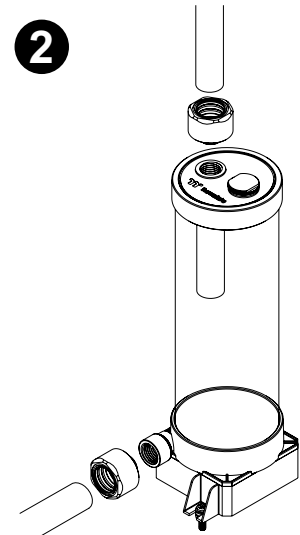
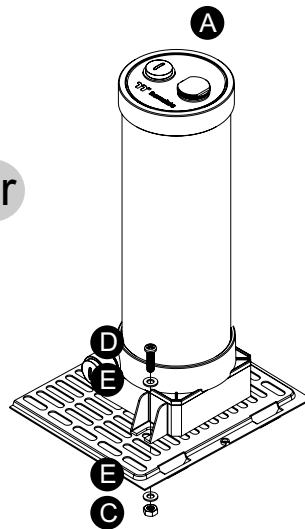
Parts List



Installation Guide



or



Fill the reservoir to only 80% and leave the fill port cap off. This will help stabilize your internal loop pressure

